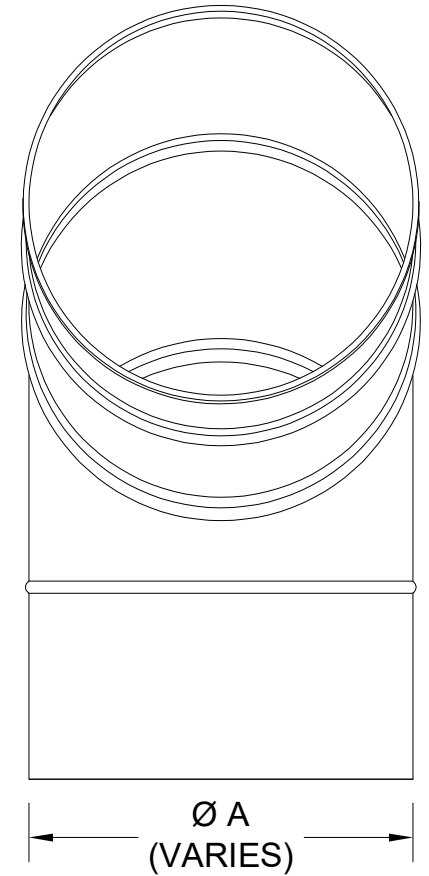
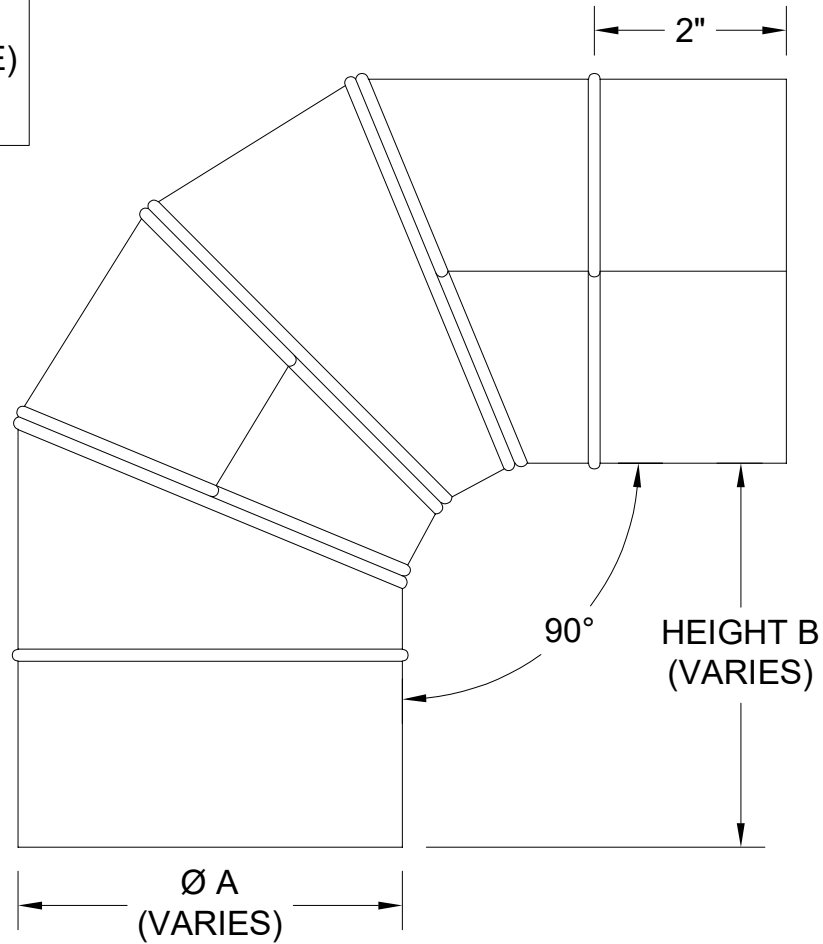
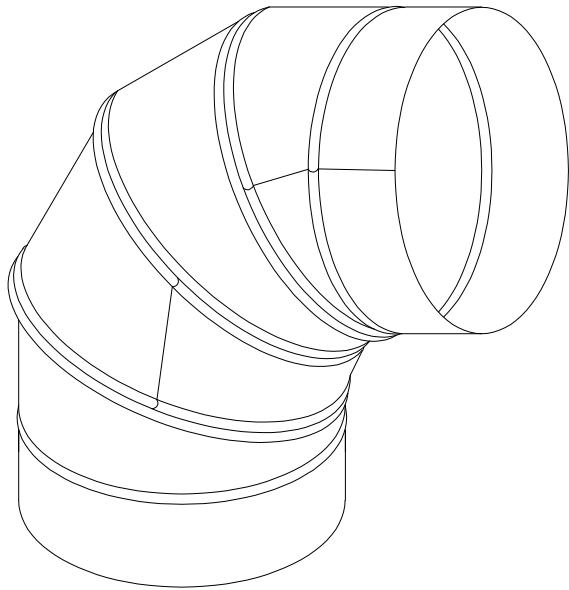


SPECIFICATIONS

- HOT DIPPED GALVANIZED STEEL PER ASTM A 653 CSB
- SEAMS STITCH WELDED
- 24GA (OTHER GAUGES AVAILABLE)
- CUSTOM SIZES



SPIRAL PRODUCED TO SMACNA STANDARDS. CONSULT SMACNA DUCT CONSTRUCTION MANUAL FOR CORRECT GAUGE FOR YOUR APPLICATION.



Customer:		Subject:	
Contact:			
Job Name:			
Estimate #:			

Galvanized Spiral Elbow

DWG: RSE	N.T.S.	Not for Shop Drawings	Date:		Drawing: 1	Revision: 1
----------	--------	-----------------------	-------	--	------------	-------------