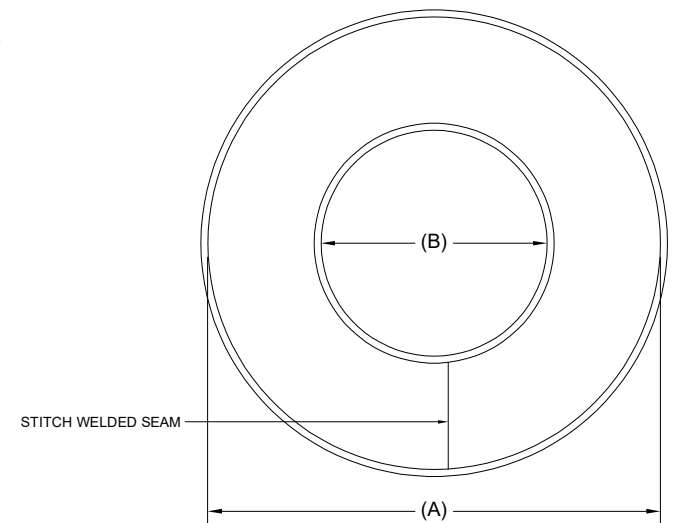
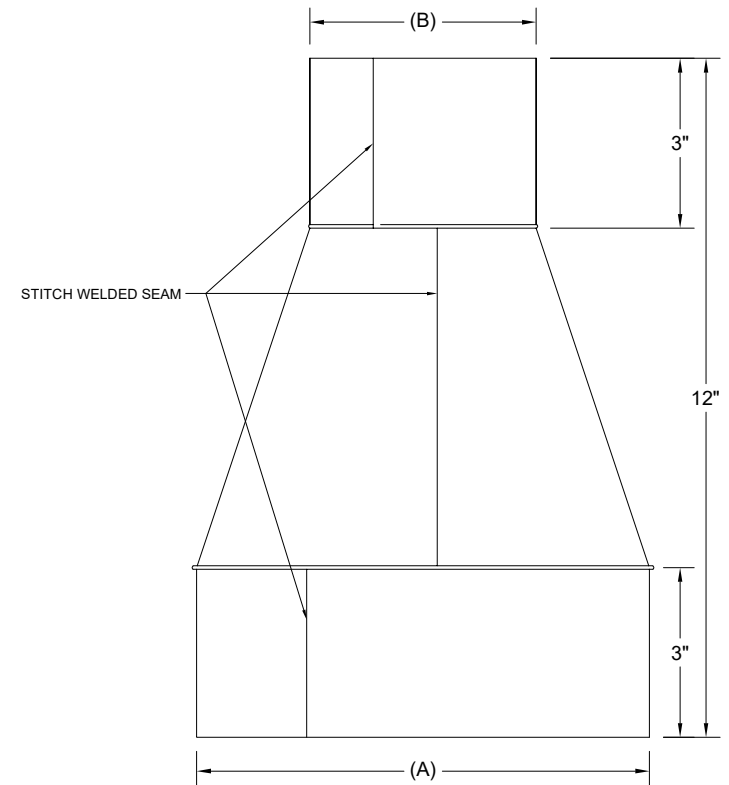
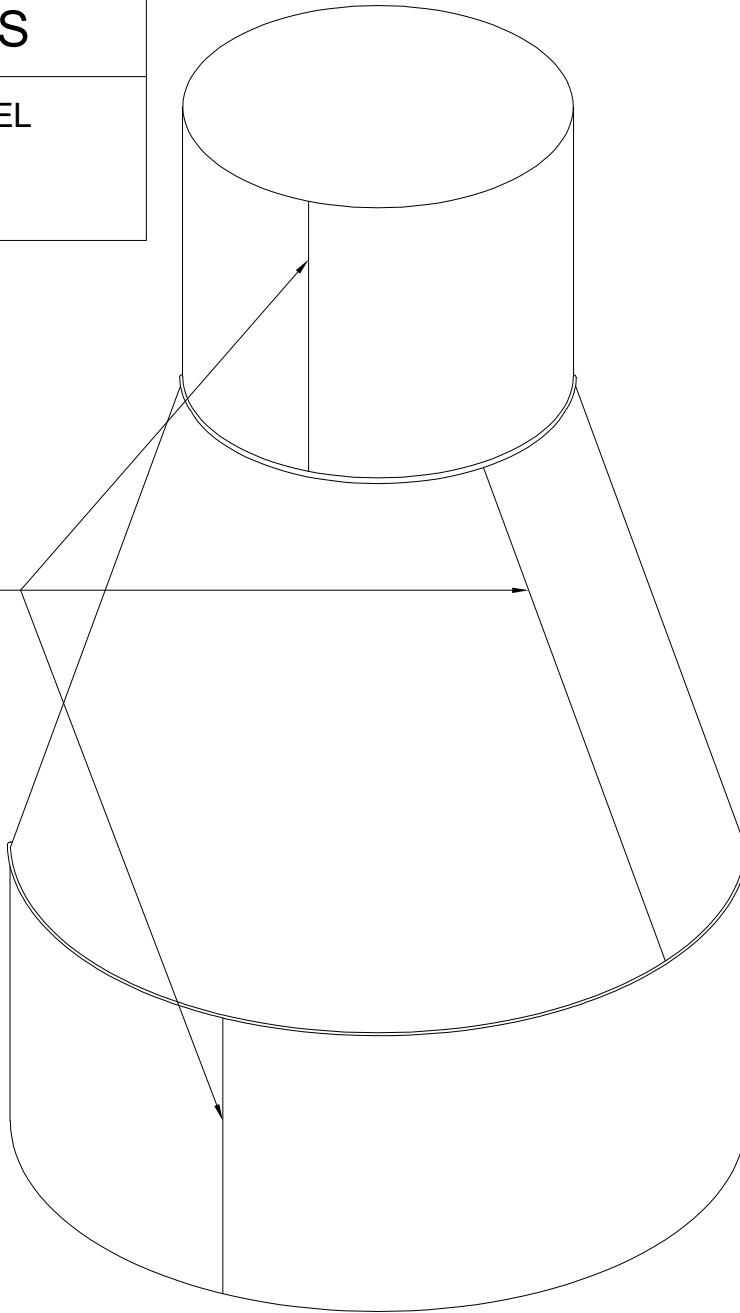


SPECIFICATIONS

- 24GA GALVANIZED STEEL
- STANDARD 12" HEIGHT
- CUSTOM SIZE

STITCH WELDED SEAM



SPIRAL PRODUCED TO SMACNA STANDARDS. CONSULT SMACNA DUCT CONSTRUCTION MANUAL FOR CORRECT GAUGE FOR YOUR APPLICATION.



Customer:		Subject:	
Contact:			
Job Name:			
Estimate #:			

Galvanized Spiral Reducer

DWG: RSE	N.T.S.	Not for Shop Drawings	Date:		Drawing: 1	Revision: 1
----------	--------	-----------------------	-------	--	------------	-------------